

E346+ —

E346V+ —



TOOL PRESETTER

TECHNOLOGY AT YOUR SERVICE

An **easy** and **complete** presetting experience

The **NEW** 15" vertical Touch Screen monitor is perfect for displaying tool data clearly and completely.

All of the machine functions are available in a single screen, simplifying your life and making your presetting experience fluid and simple.

The Elbo Controlli NIKKEN philosophy is to offer solutions that reduce the possibility of error by the operator, guiding him in his work.

Everything simple. Without complication.



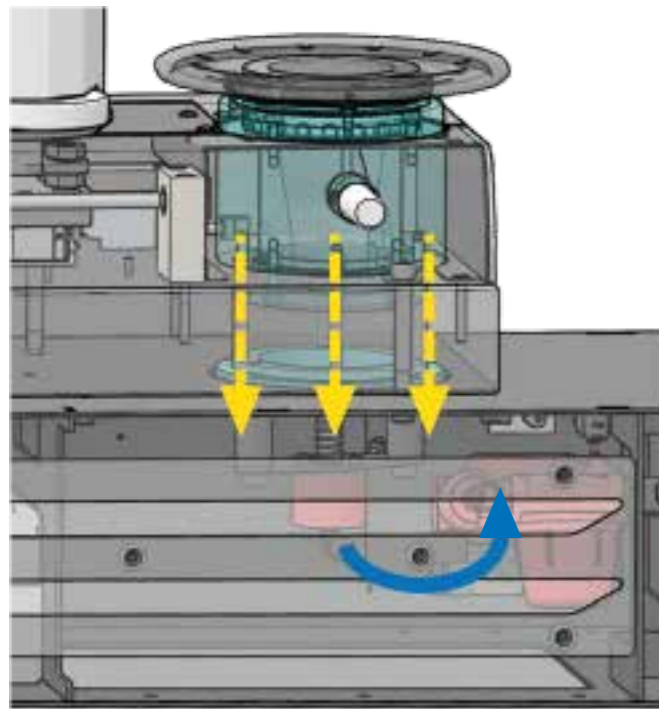
Everything you **need** can be found here

Why complicate your life with complex and difficult software?

We at Elbo Controlli NIKKEN believe in ease of use and, with the **NEW** machine software, have achieved this goal. Easy. Intuitive. Without constraints.

The new software guarantees high performance, always respecting ease and intuitiveness: discover the pres

VACUUM CLAMPING SYSTEM



A clamping out of the ordinary

The VACUUM-based tool-holder clamping system allows greater measurement reliability.

The vacuum, generated inside the interchangeable rotating spindle holder, allows the tool holder to be adapted to a wide range of shanks without the need to change any adaptors.

The vacuum is created by the passage of compressed air into a duct, avoiding the use of a pump or any electro-mechanical moving parts.

No maintenance. No wear

Why not go for the maximum?

DETAIL MAKES THE DIFFERENCE

Machine stand

Integrate your presetting machine with a machine stand: sturdy and ergonomic, it facilitates the work.

The stand prevents damage to the ground part of the interchangeable spindles using the three lateral pots.

Tailor-made for your needs.

Dimension: 985 x 755 x 505 mm Weight: 65 Kg



Label printer

All the tool values are printed on a self-adhesive label.

Helpful and easy to use, insert the power supply and the USB to the presetter machine and the job is done.

COMPARISON

LEGEND: - not available ● available ○ optional

	E346+	E346V+
Measuring range: 360 mm Diameter, 460 mm Height	●	●
Natural granite base and column	●	●
Fine adjustment	●	●
Interchangeable spindle (ISO 40, ISO 50, HSK, VDI, polygonal taper...)	●	●
Manual mechanical spindle rotation brake	●	●
VACUUM clamping system	-	●
Double re-circulating ball bearing slides, lubricated for life	●	●
ELBO CONTROLLI NIKKEN camera system measuring range	6,4 x 6,4 mm	6,4 x 6,4 mm
ELBO CONTROLLI NIKKEN camera system measuring resolution	1 μm	1 μm
ELBO CONTROLLI NIKKEN camera system magnification	25 X	25 X
ELBO CONTROLLI NIKKEN certified optical scale (axes resolution = 1 μm)	●	●
Tool Data SIX (Td SIX) Post Processor universal generator	●	●
Tool recognition software via Datamatrix	●	●
Hardware for tool recognition via Datamatrix	○	○
Tool inspection function	●	●
CNC machine origin management	●	●
Tool list creation and/or single tool	●	●
Theoretical measurement and tolerance management	●	●
Printable tool set report	●	●
TFT 15" colour 16:9 vertical Touch Screen monitor	●	●
UBUNTU LINUX operating system	●	●
TID (Automatic Tool Identification System) ready	○	○
Label printer	○	○
Machine stand	○	○

"Details make perfection, and perfection is not a detail" Leonardo da Vinci

* The provided info relates to standard presetter machines

“
rock solid measurement
”

elbo controlli  **NIKKEN**

20821 MEDA (MB) - Italy - Via San Giorgio, 21
T. +39 0362 342745 - **F.** +39 0362 342741
www.elbocontrolli.com - info@elbocontrolli.it



Distributed by